

## TEMPERATURE SENSOR IC

### FEATURES

- Linear Output Voltage 10 mV/°C Output
- Active High On/Off Control
- 2.4 to 8.0 V Supply Range
- Miniature Package (SOT-23L)
- Minimum External Parts Count
- Low Power Consumption

### DESCRIPTION

The TK11034 is a temperature sensor IC with a linear output of 10 mV/°C over the range of -30 to + 105 °C. Its wide operating voltage range of 2.4 to 8.0 V makes it suitable for a number of applications requiring accurate temperature control, such as electronic thermostats for climate control, refrigerators, and industrial process controls. The device is in the "on" state when the control pin is pulled to a logic high level.

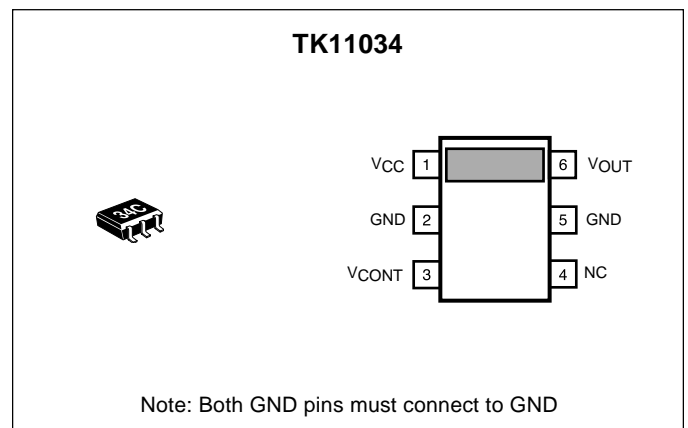
A typical application is to make a digital representation of temperature with an A/D converter, or to make a thermal detector with a comparator.

The TK11034 has a compensation pin for a 0.1 μF capacitor that ensures stability over the IC's operating temperature range.

The TK11034 is available in a miniature SOT-23L surface mount package.

### APPLICATIONS

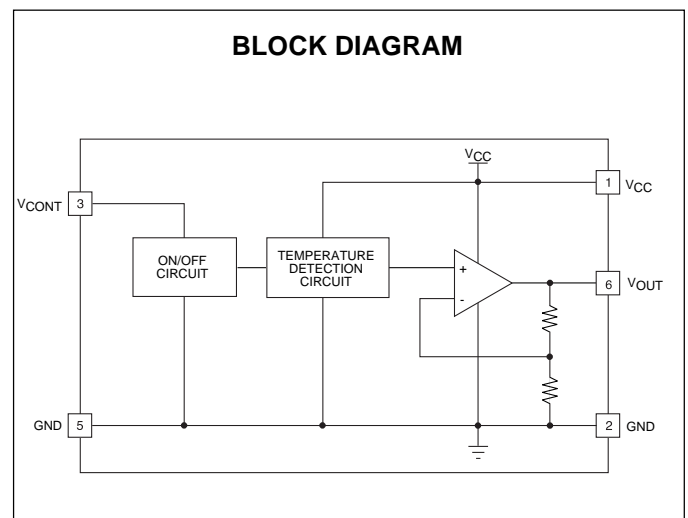
- Home and Industrial Thermostats
- Automotive Climate Control
- Battery Charger Temperature Monitor
- Notebook Computer Temperature Monitor
- Electronic Thermometers
- Fish Finder Water Temperature
- Industrial Process Controllers
- Home Appliance Temperature Control



**ORDERING INFORMATION**

TK11034M Tape/Reel Code

TAPE/REEL CODE  
TL: Tape Left



# TK11034

## ABSOLUTE MAXIMUM RATINGS

Supply Voltage .....	12 V	Storage Temperature Range .....	-55 to +150 °C
Operating Voltage .....	2.4 to 8 V	Operating Temperature Range .....	-30 to +105 °C
Power Dissipation (Note 1) .....	200 mW	Lead Soldering Temperature (10 s) .....	235 °C
Junction Temperature .....	150 °C		

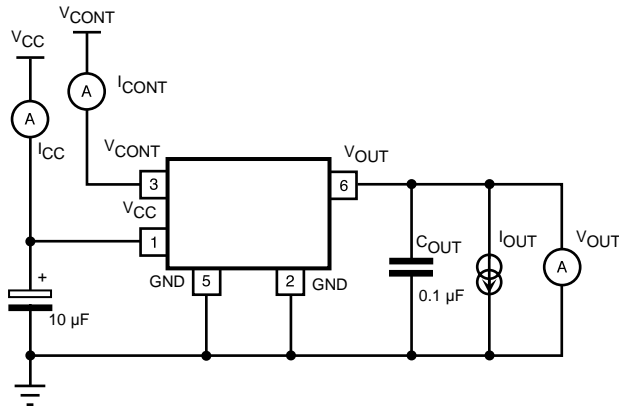
## TK11034 ELECTRICAL CHARACTERISTICS

Test Conditions:  $V_{CC} = 3.0\text{ V}$ ,  $V_{CONT} = 2.4\text{ V}$ ,  $I_{OUT} = 0\text{ }\mu\text{A}$ ,  $T_A = 25\text{ }^\circ\text{C}$ , unless otherwise specified.

SYMBOL	PARAMETER	TEST CONDITIONS	MIN	TYP	MAX	UNITS
$V_{OUT}$	Output Voltage	$T_A = 25\text{ }^\circ\text{C}$	965	995	1025	mV
		$T_A = 85\text{ }^\circ\text{C}$	1573	1613	1653	mV
		$T_A = -30\text{ }^\circ\text{C}$		428.5		mV
$T_C$	Temperature Coefficient	$T_A = 25\text{ }^\circ\text{C}$ to $85\text{ }^\circ\text{C}$	9.5	10.3	11.1	mV/°C
Line Reg	Line Regulation	$V_{CC} = 3$ to $8\text{ V}$	-20	5	20	mV
Load Reg	Load Regulation	$I_{OUT} = 0$ to $400\text{ }\mu\text{A}$		3	20	mV
$I_{CC}$	Supply Current	$V_{CONT} = 2.4\text{ V}$		160	220	$\mu\text{A}$
$I_{OUT}$	Output Current	$\Delta V_{OUT} \leq 20\text{ mV}$			400	$\mu\text{A}$
$I_{CC(STBY)}$	Standby Supply Current	$V_{CONT} \leq 0.6\text{ V}$			1	$\mu\text{A}$
<b>CONTROL TERMINAL SPECIFICATIONS</b>						
$V_{CONT(ON)}$	Control Voltage (ON)	$V_{OUT} = 965$ to $1025\text{ mV}$ , Output ON	1.8	2.4	$V_{CC}$	V
$V_{CONT(OFF)}$	Control Voltage (OFF)	$V_{OUT} \leq 0.1\text{ V}$ , Output OFF	GND		0.6	V
$I_{CONT}$	Control Current			4.5	7.5	$\mu\text{A}$

Note 1: Power dissipation is 200 mW when mounted as recommended. Derate at 1.6 mW/°C for operation above 25 °C.

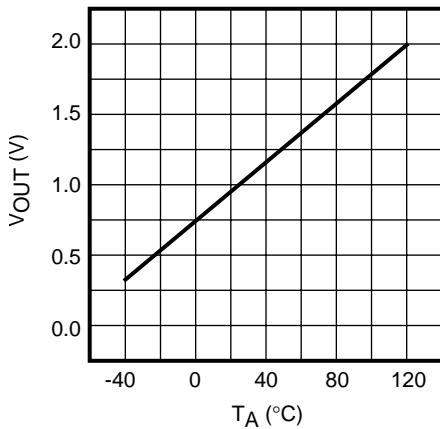
**TEST CIRCUIT**



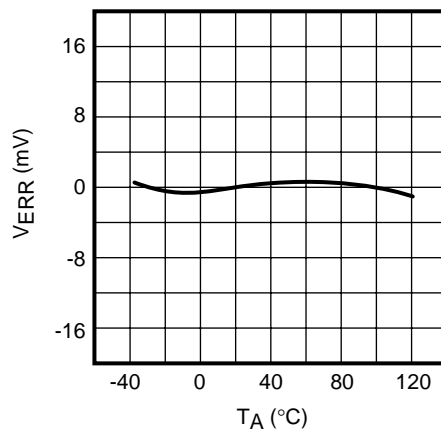
**TYPICAL PERFORMANCE CHARACTERISTICS**

$V_{CC} = 3\text{ V}$ ,  $V_{CONT} = 2.4\text{ V}$ ,  $I_{OUT} = 0\text{ }\mu\text{A}$ ,  $T_A = 25\text{ }^\circ\text{C}$ , unless otherwise specified.

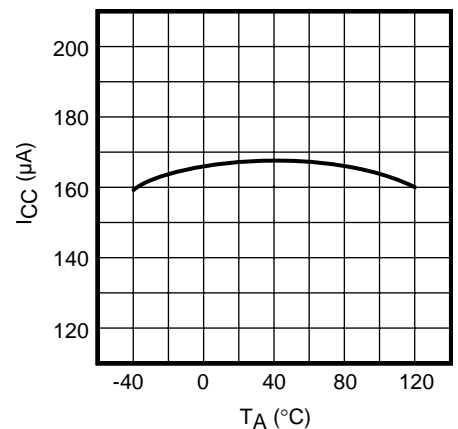
**OUTPUT VOLTAGE vs. TEMPERATURE**



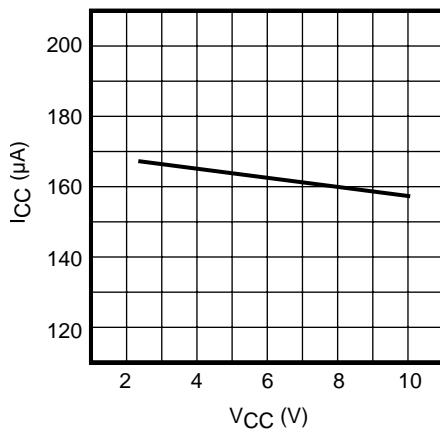
**LINEARITY ERROR vs. TEMPERATURE**



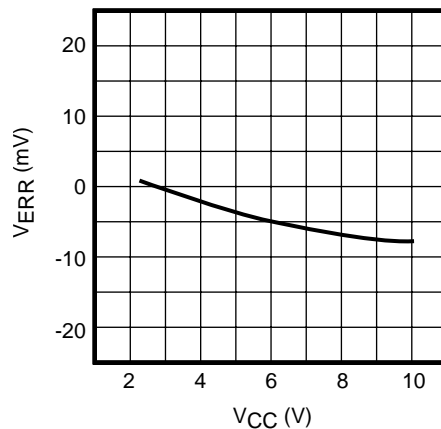
**INPUT CURRENT vs. TEMPERATURE**



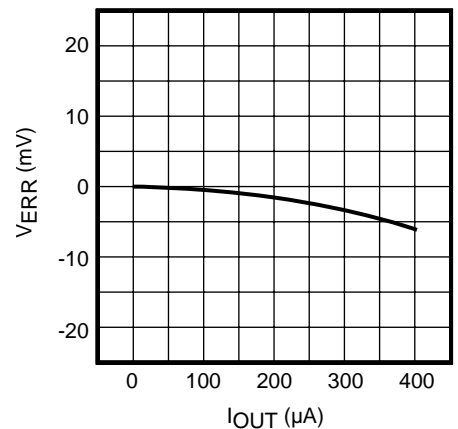
**INPUT CURRENT vs. INPUT VOLTAGE**



**LINE REGULATION**



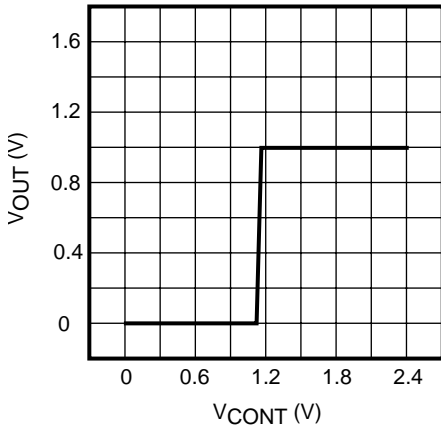
**LOAD REGULATION**



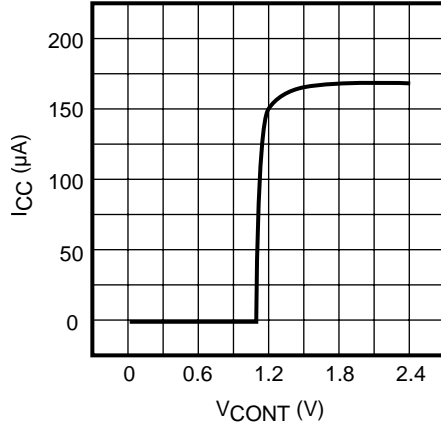
**TYPICAL PERFORMANCE CHARACTERISTICS (CONT.)**

$V_{CC} = 3\text{ V}$ ,  $V_{CONT} = 2.4\text{ V}$ ,  $I_{OUT} = 0\text{ }\mu\text{A}$ ,  $T_A = 25\text{ }^\circ\text{C}$ , unless otherwise specified.

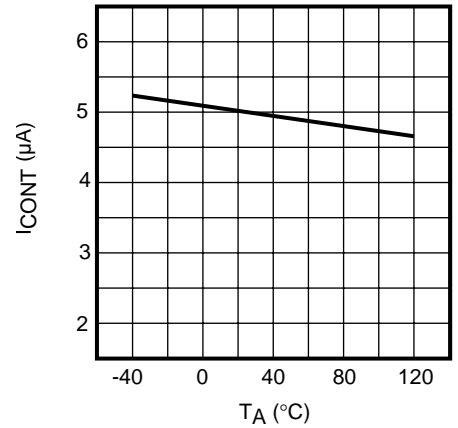
**OUTPUT VOLTAGE vs. CONTROL VOLTAGE**



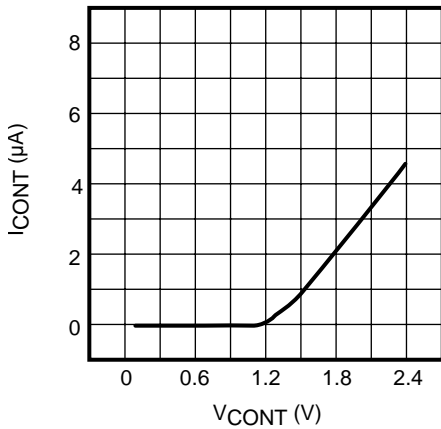
**INPUT CURRENT vs. CONTROL VOLTAGE**



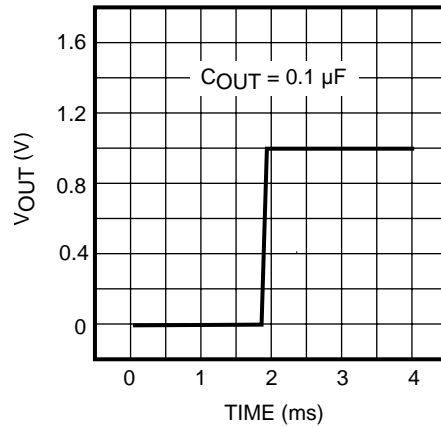
**CONTROL CURRENT vs. TEMPERATURE**



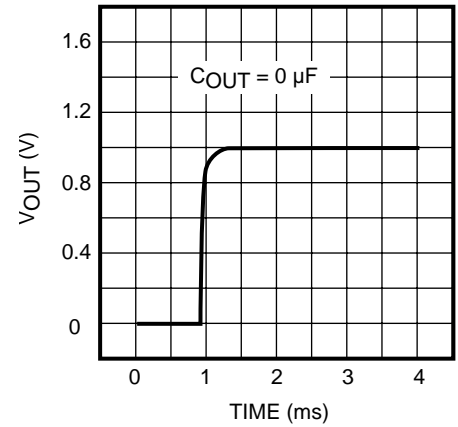
**CONTROL CURRENT vs. CONTROL VOLTAGE**



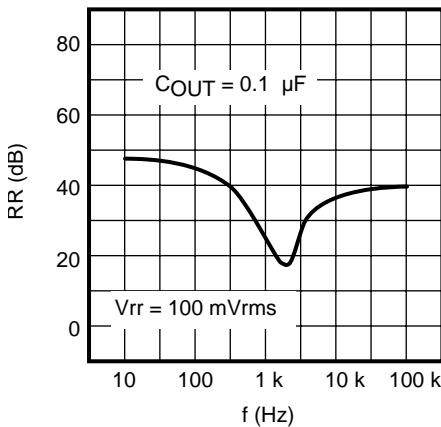
**CONTROL VOLTAGE RESPONSE A**



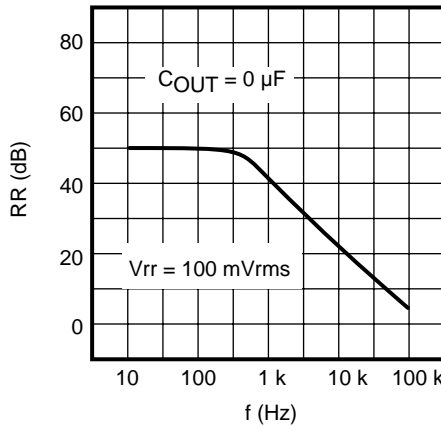
**CONTROL VOLTAGE RESPONSE B**



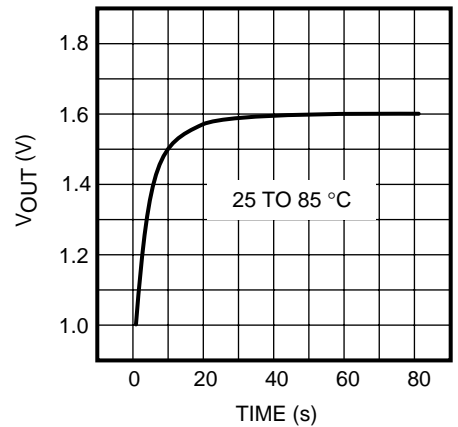
**RIPPLE REJECTION RATIO A**



**RIPPLE REJECTION RATIO B**

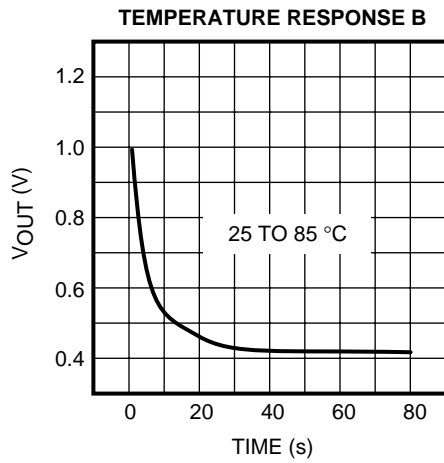


**TEMPERATURE RESPONSE A**

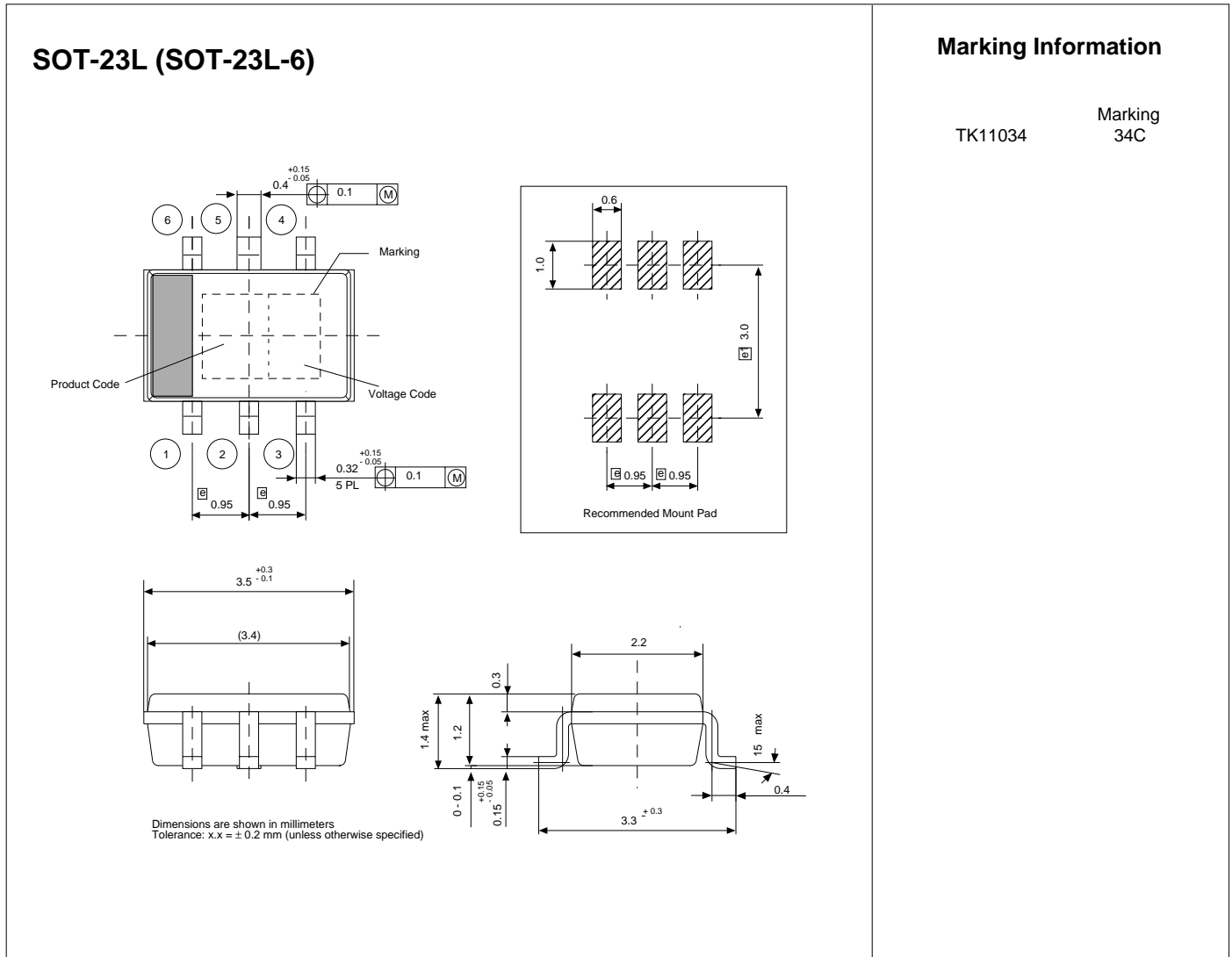


**TYPICAL PERFORMANCE CHARACTERISTICS (CONT.)**

$V_{CC} = 3\text{ V}$ ,  $V_{CONT} = 2.4\text{ V}$ ,  $I_{OUT} = 0\text{ }\mu\text{A}$ ,  $T_A = 25\text{ }^\circ\text{C}$ , unless otherwise specified.



**PACKAGE OUTLINE**



**Toko America, Inc. Headquarters**  
 1250 Feehanville Drive, Mount Prospect, Illinois 60056  
 Tel: (847) 297-0070 Fax: (847) 699-7864

**TOKO AMERICA REGIONAL OFFICES**

**Midwest Regional Office**  
 Toko America, Inc.  
 1250 Feehanville Drive  
 Mount Prospect, IL 60056  
 Tel: (847) 297-0070  
 Fax: (847) 699-7864

**Western Regional Office**  
 Toko America, Inc.  
 2480 North First Street, Suite 260  
 San Jose, CA 95131  
 Tel: (408) 432-8281  
 Fax: (408) 943-9790

**Eastern Regional Office**  
 Toko America, Inc.  
 107 Mill Plain Road  
 Danbury, CT 06811  
 Tel: (203) 748-6871  
 Fax: (203) 797-1223

**Semiconductor Technical Support**  
 Toko Design Center  
 4755 Forge Road  
 Colorado Springs, CO 80907  
 Tel: (719) 528-2200  
 Fax: (719) 528-2375

Visit our Internet site at <http://www.tokoam.com>

The information furnished by TOKO, Inc. is believed to be accurate and reliable. However, TOKO reserves the right to make changes or improvements in the design, specification or manufacture of its products without further notice. TOKO does not assume any liability arising from the application or use of any product or circuit described herein, nor for any infringements of patents or other rights of third parties which may result from the use of its products. No license is granted by implication or otherwise under any patent or patent rights of TOKO, Inc.